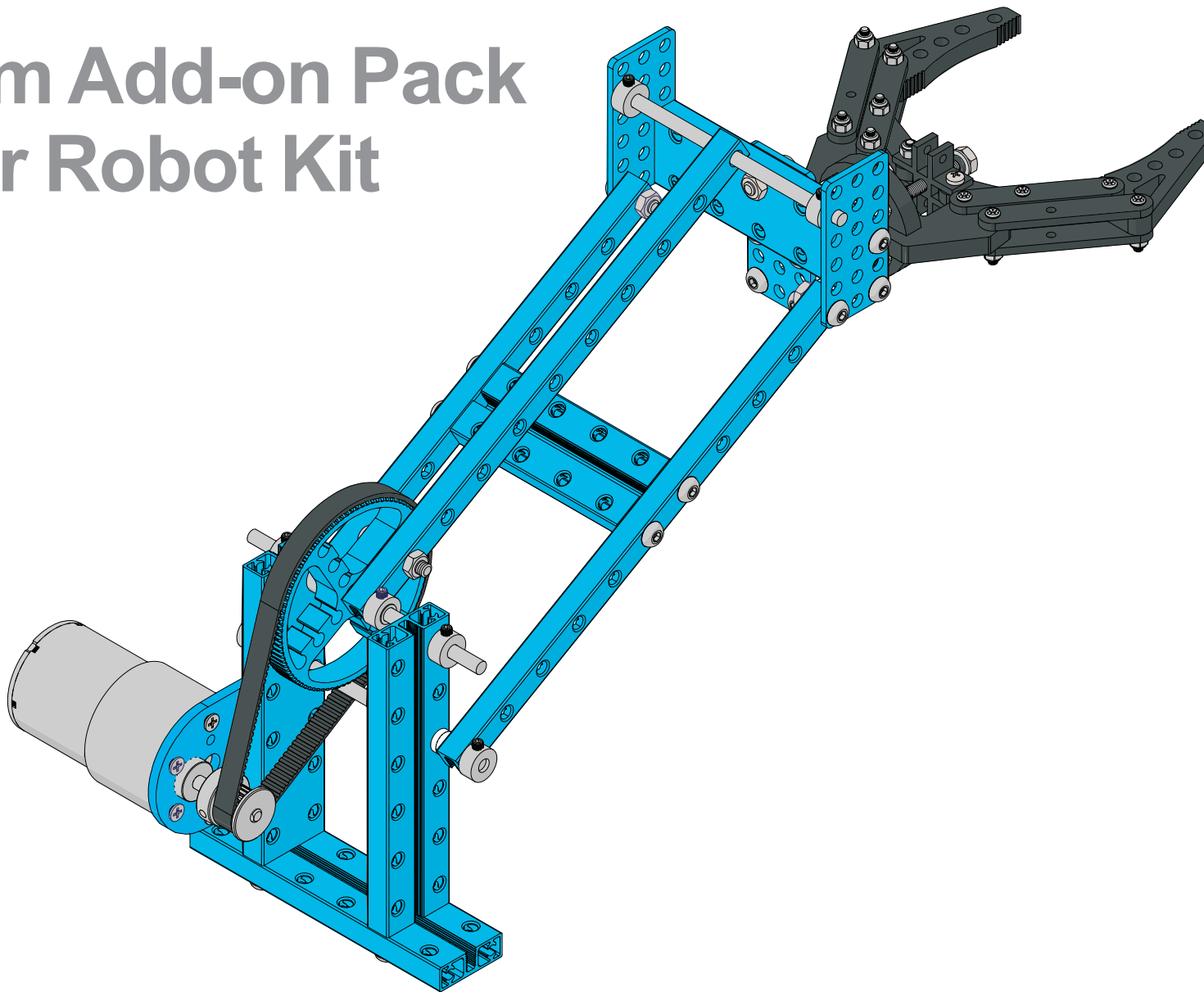
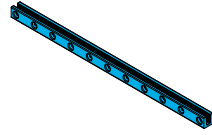


Robot Arm Add-on Pack for Starter Robot Kit



Parts List

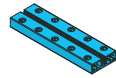
3× Beam 0808-168



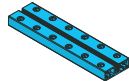
1× Beam 0824-64



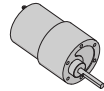
1× Beam 0824-80



3× Beam 0824-96



1× DC Motor-37



1× Flange Bearing 4×8×3mm



12× Screw M4×8



11× Screw M4×14



1× Screw M4×22



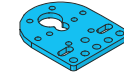
2× Nut M4



2× Nylon lock Nut M4



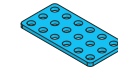
1× DC Motor-37 Bracket



4× Plastic Ring 4×7×2mm



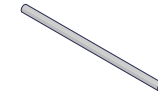
3× Plate 3×6



4× Screw M3×8



3× Shaft 4×88



8× Shaft Collar 4mm



9× Headless Set Screw M3×5



1× Timing Pulley 18T



1× Timing Pulley 90T

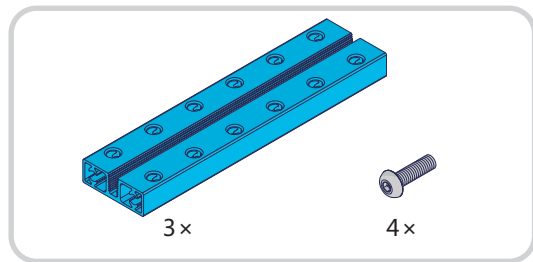


1× Timing Belt 98M×L

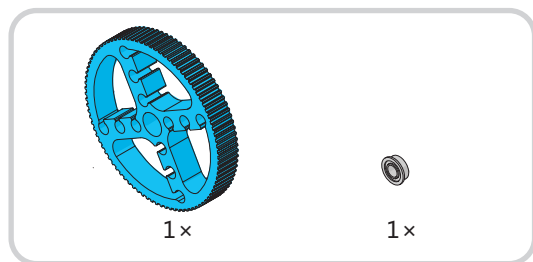
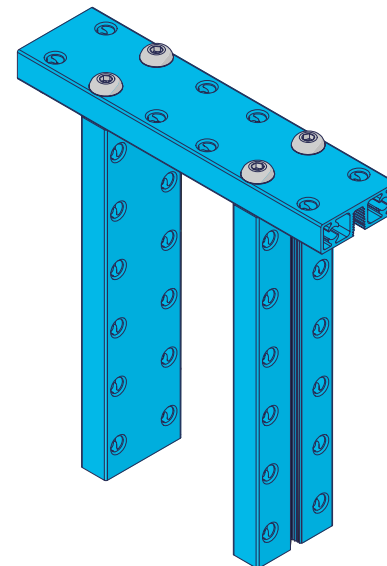
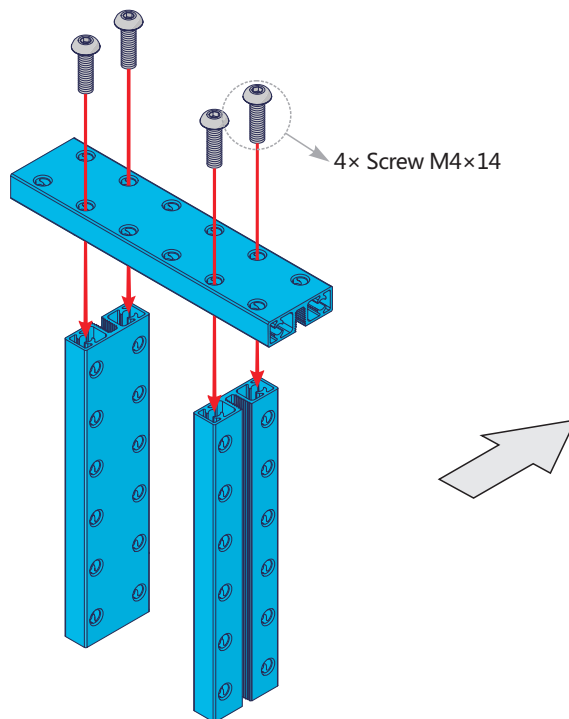


1× Strong Robot Gripper

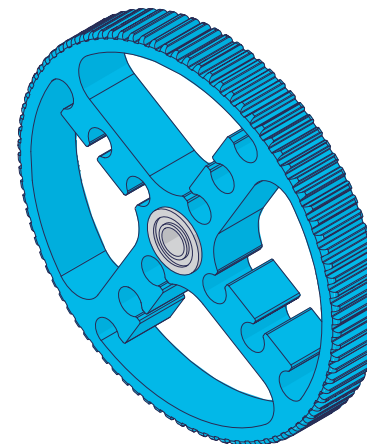
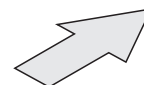
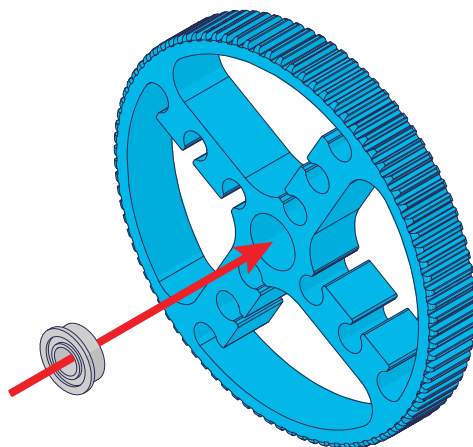


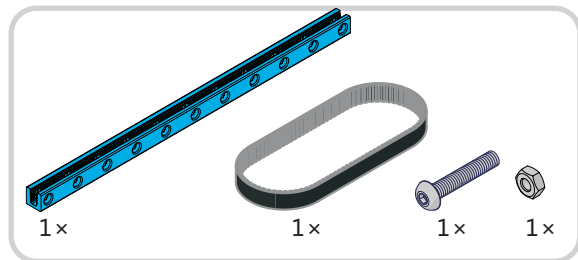


1

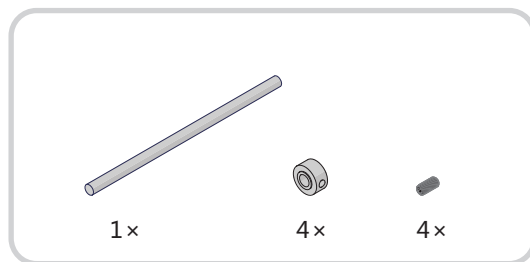
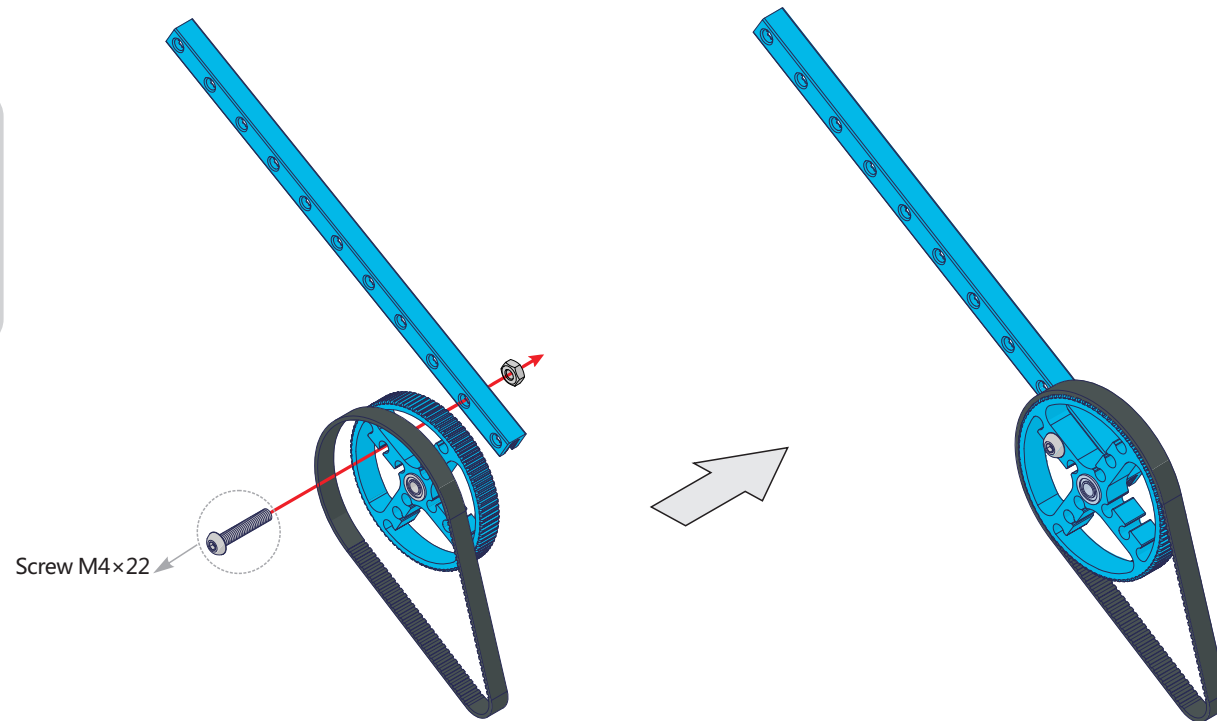


2

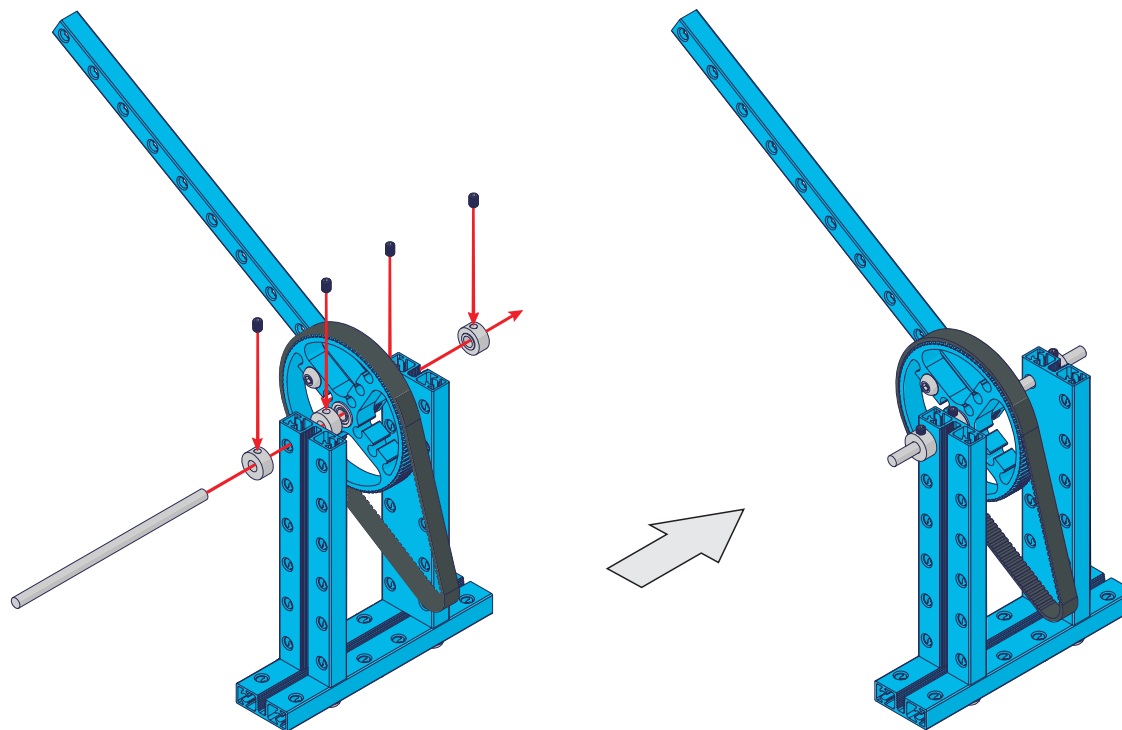


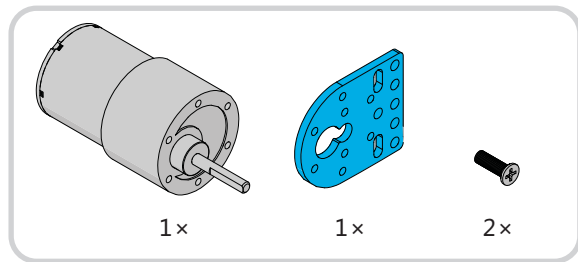


3

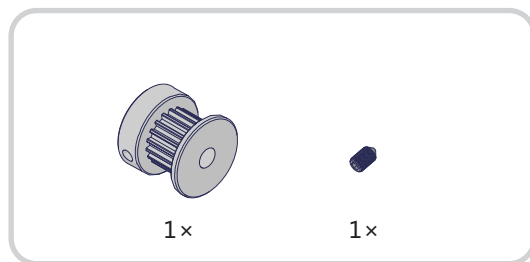
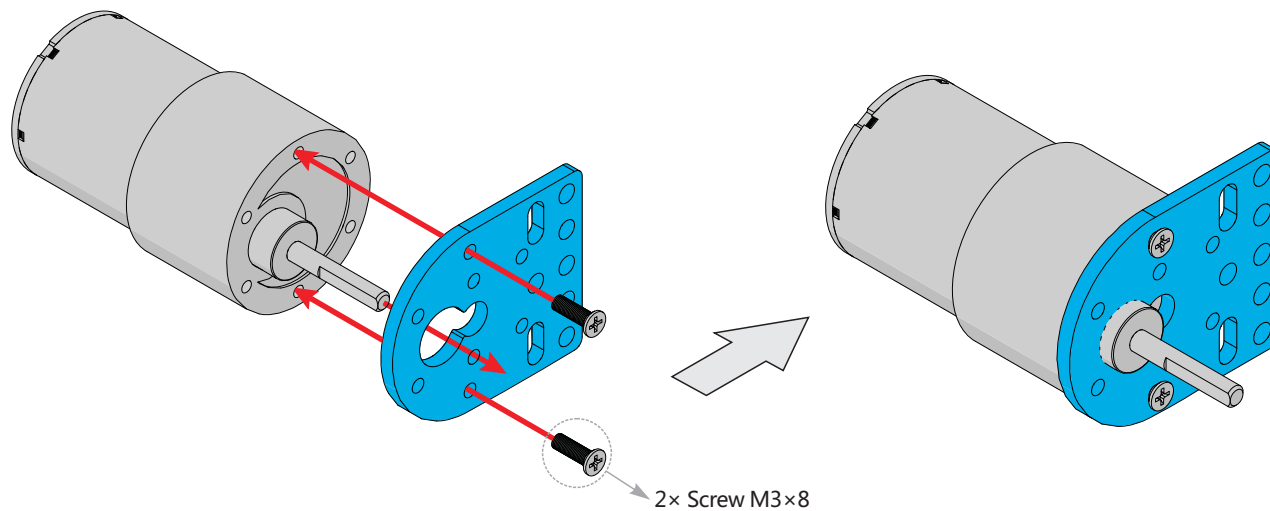


4

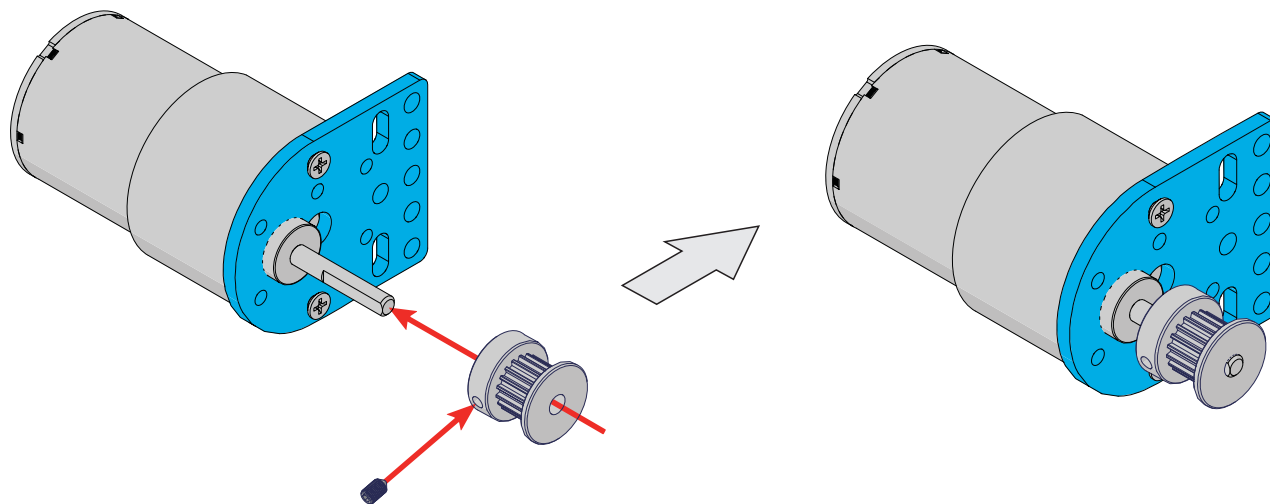


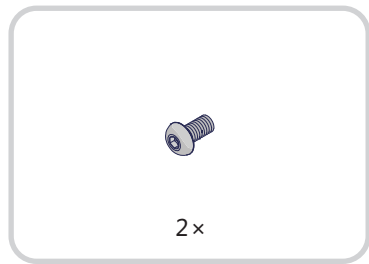


5

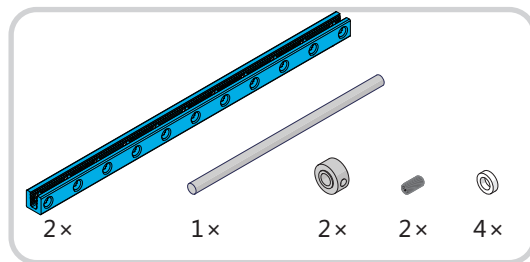
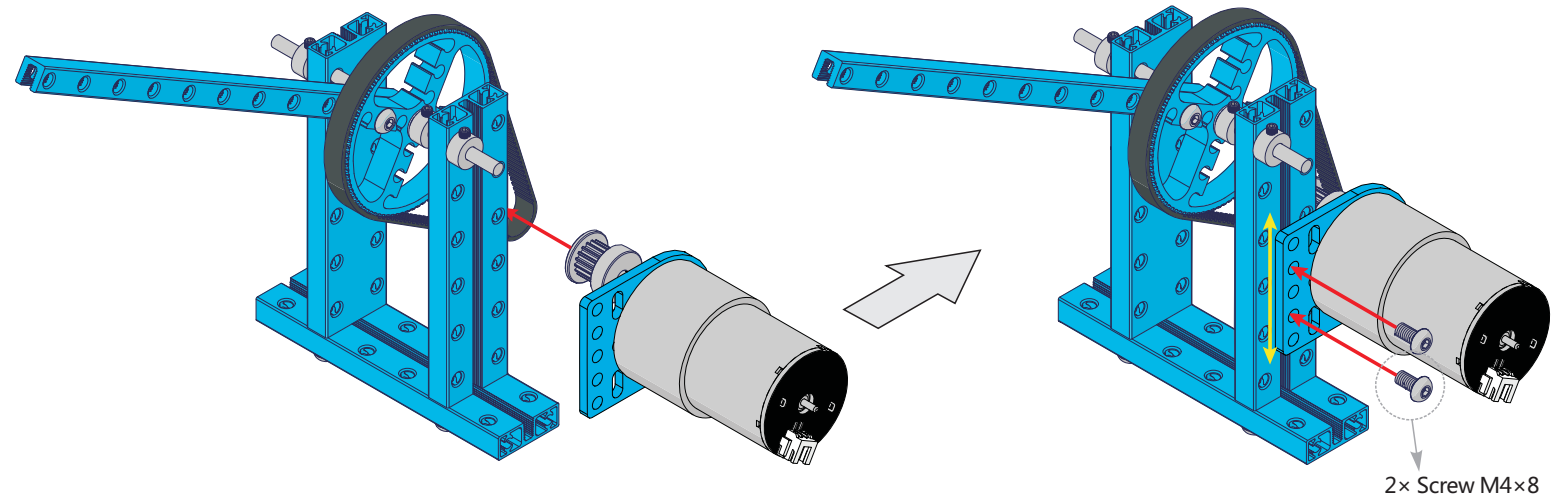


6

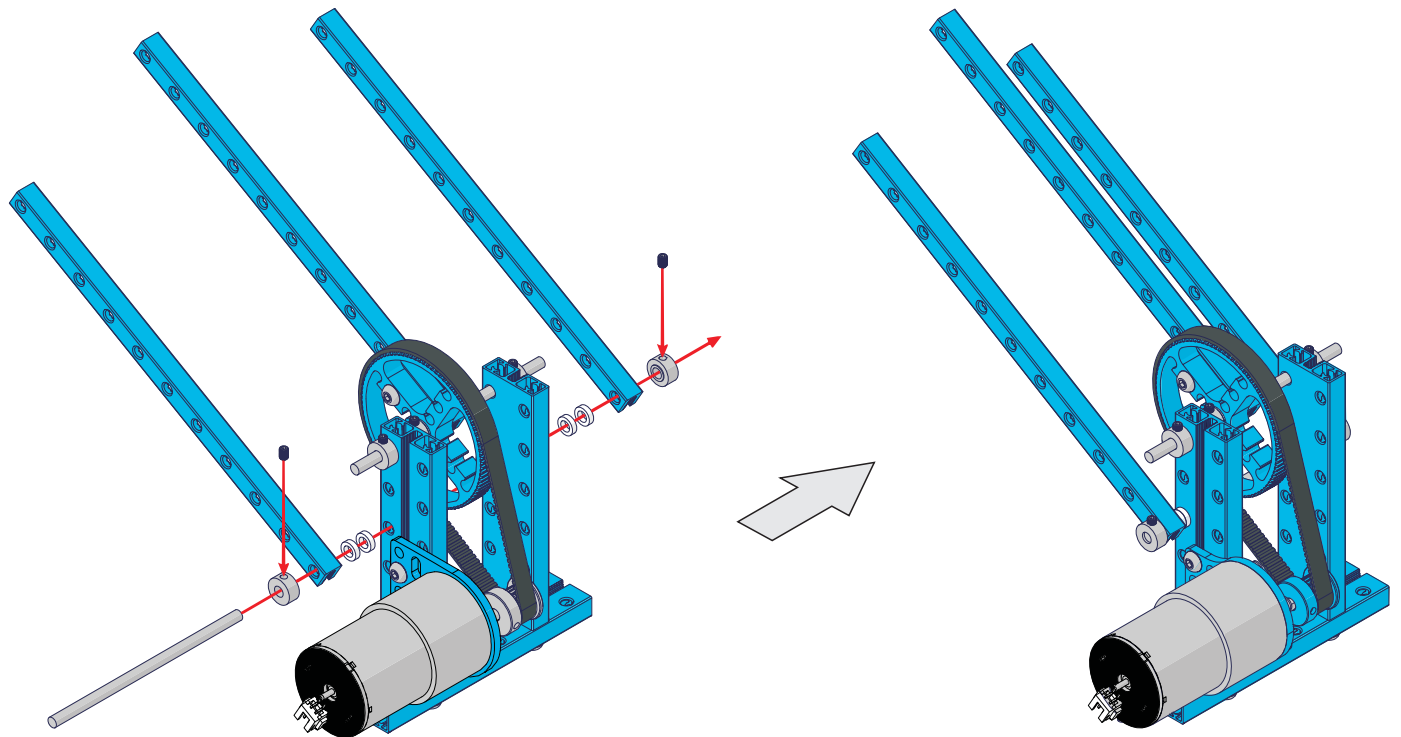


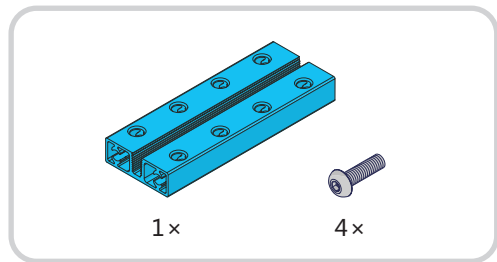


7

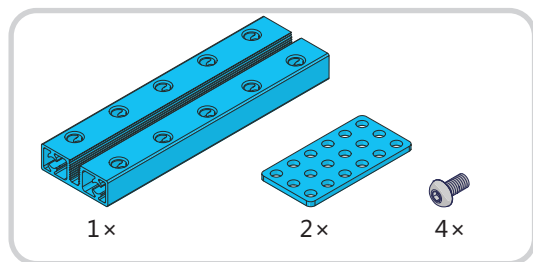
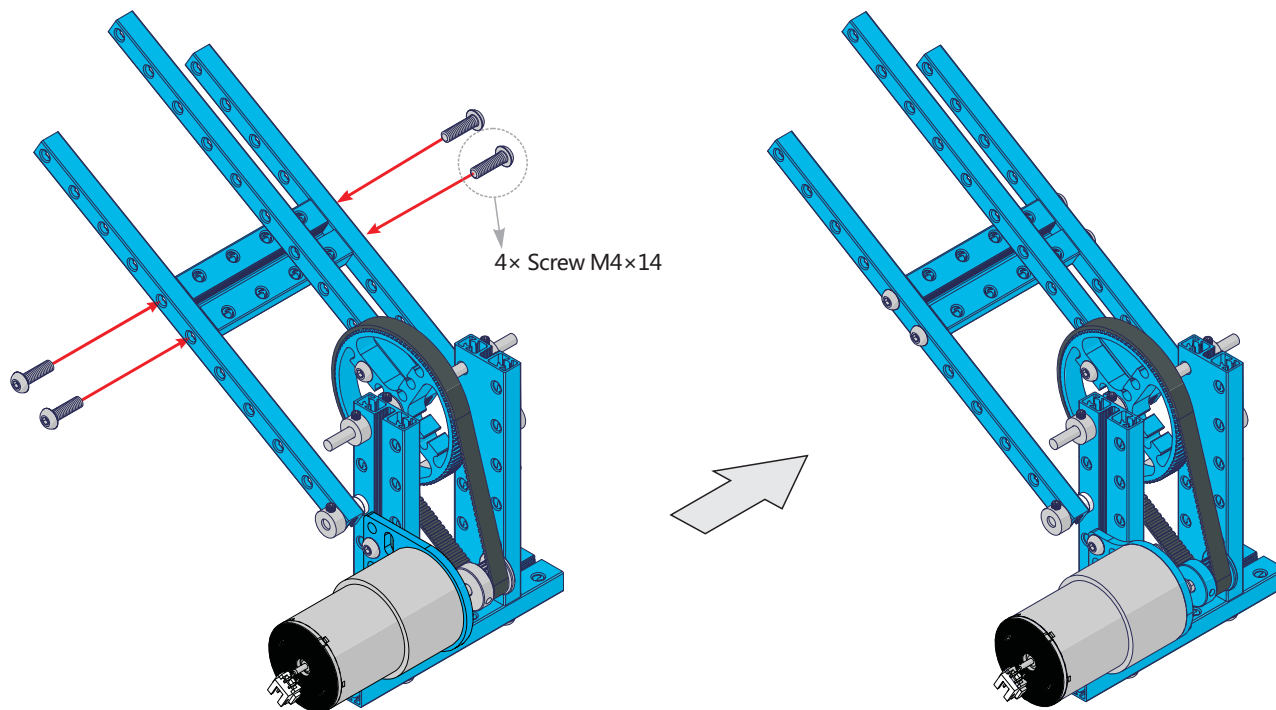


8

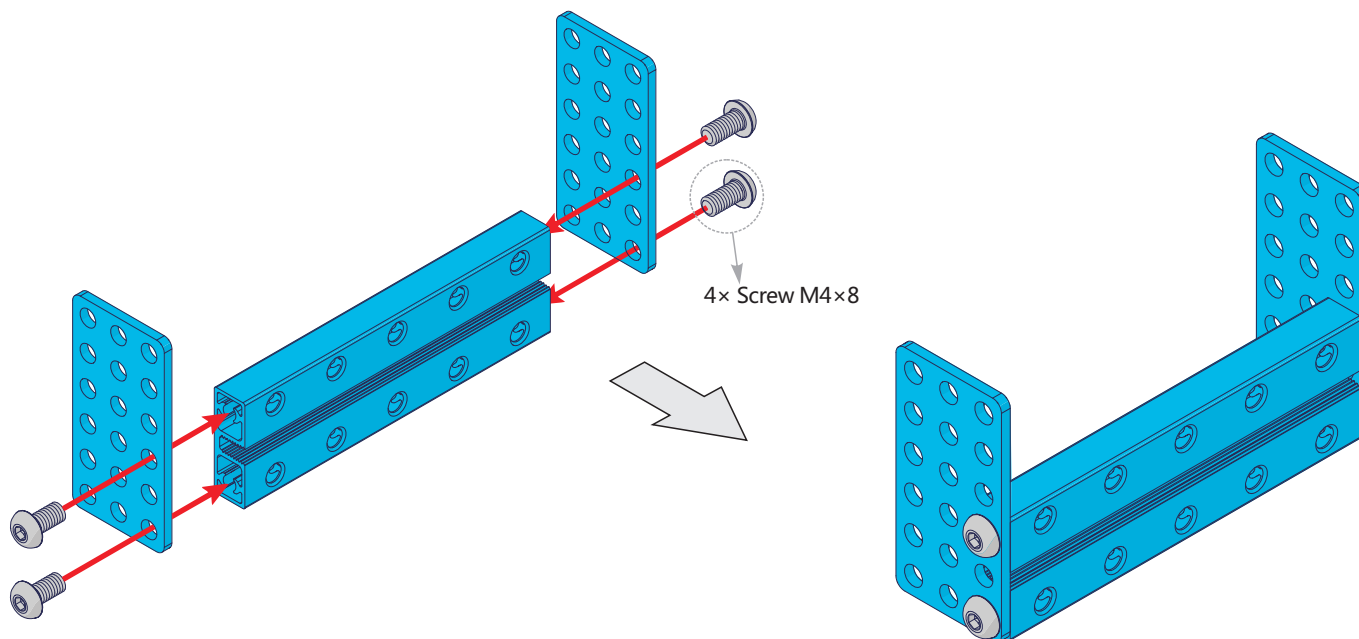


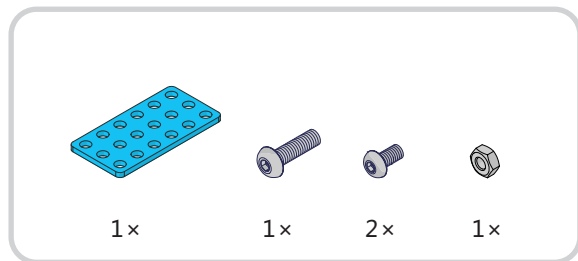


9

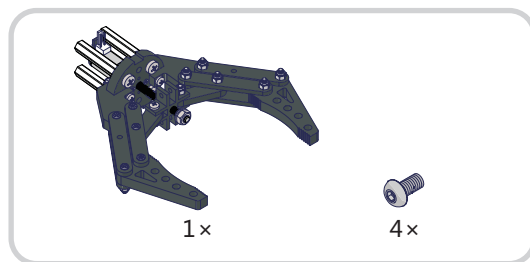
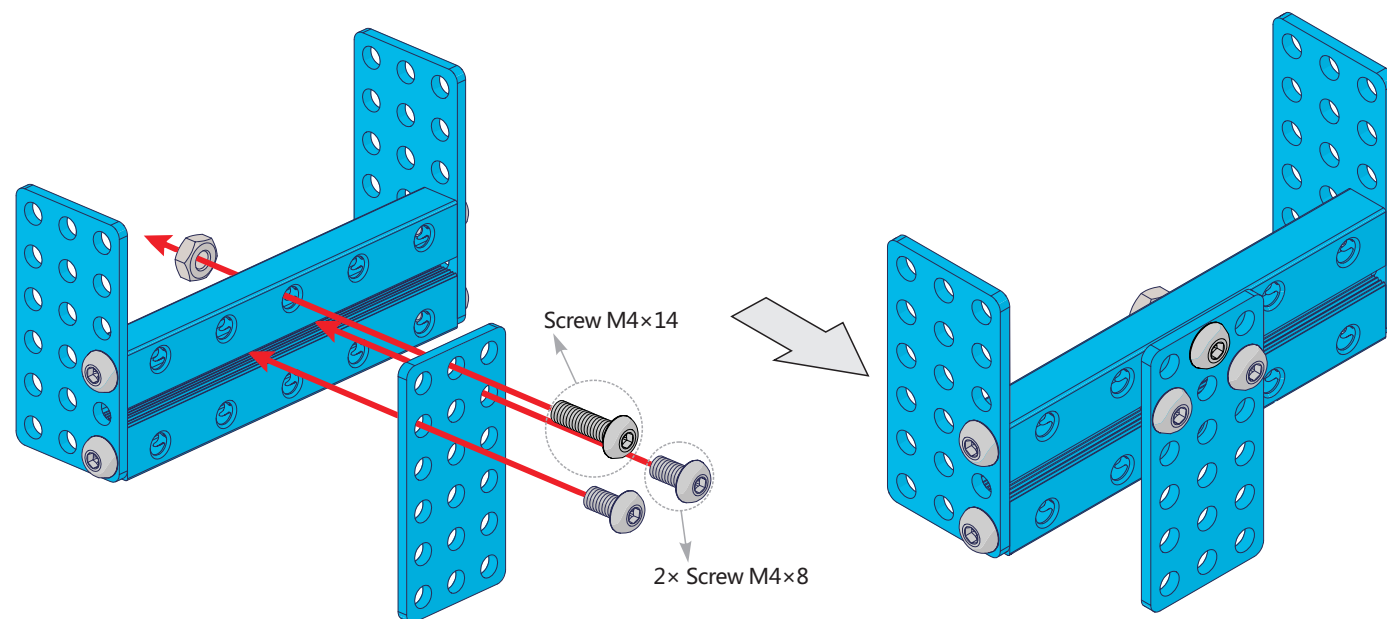


10

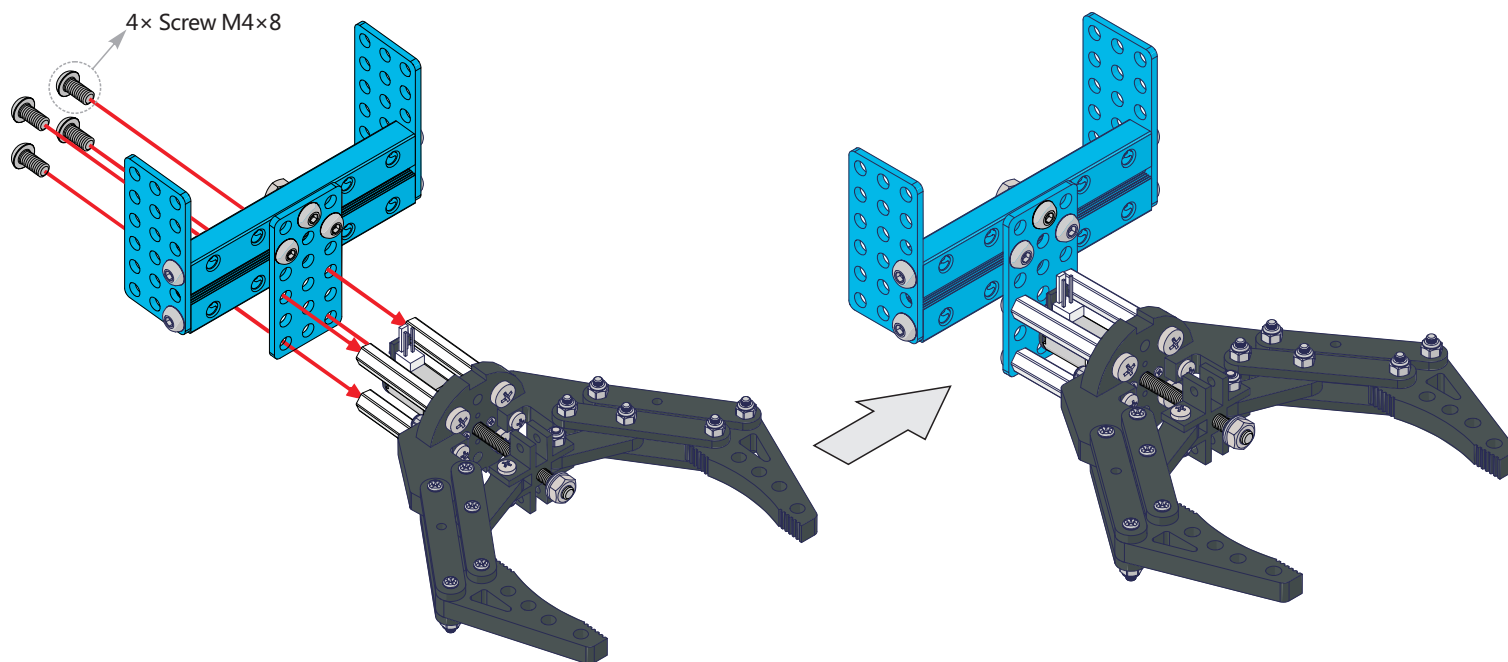


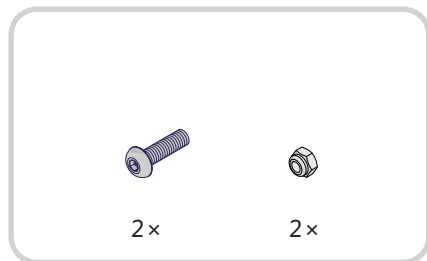


11

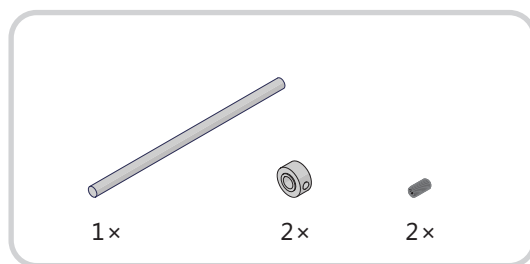
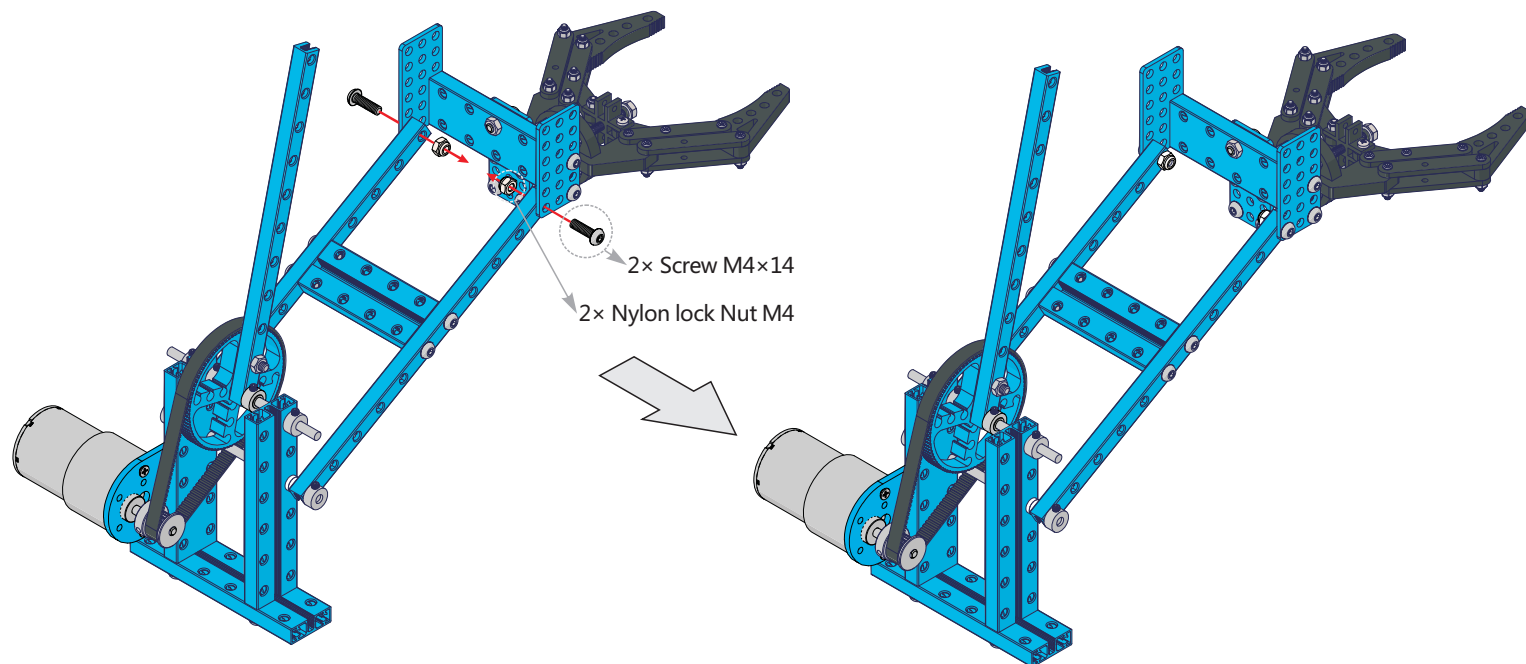


12

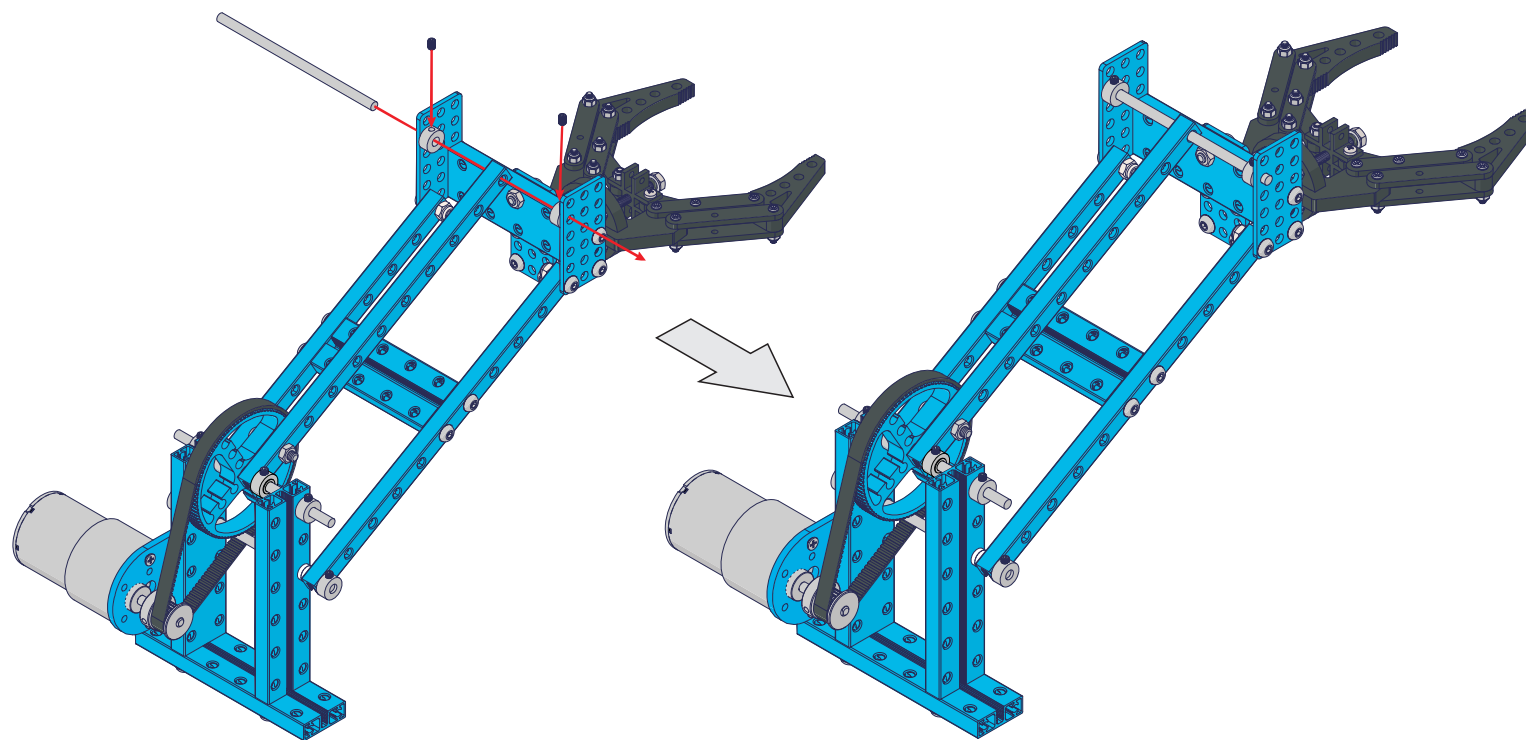




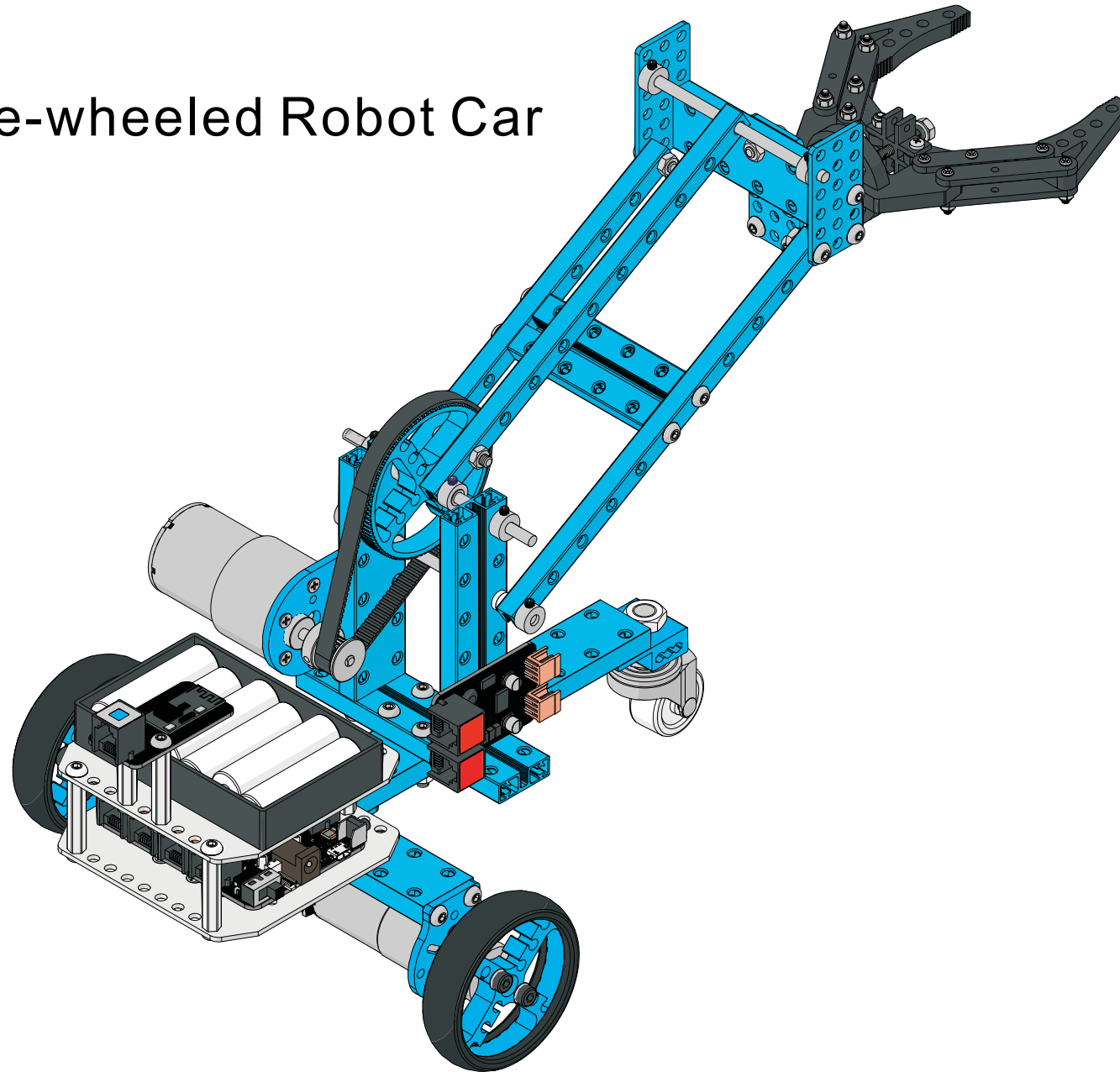
13



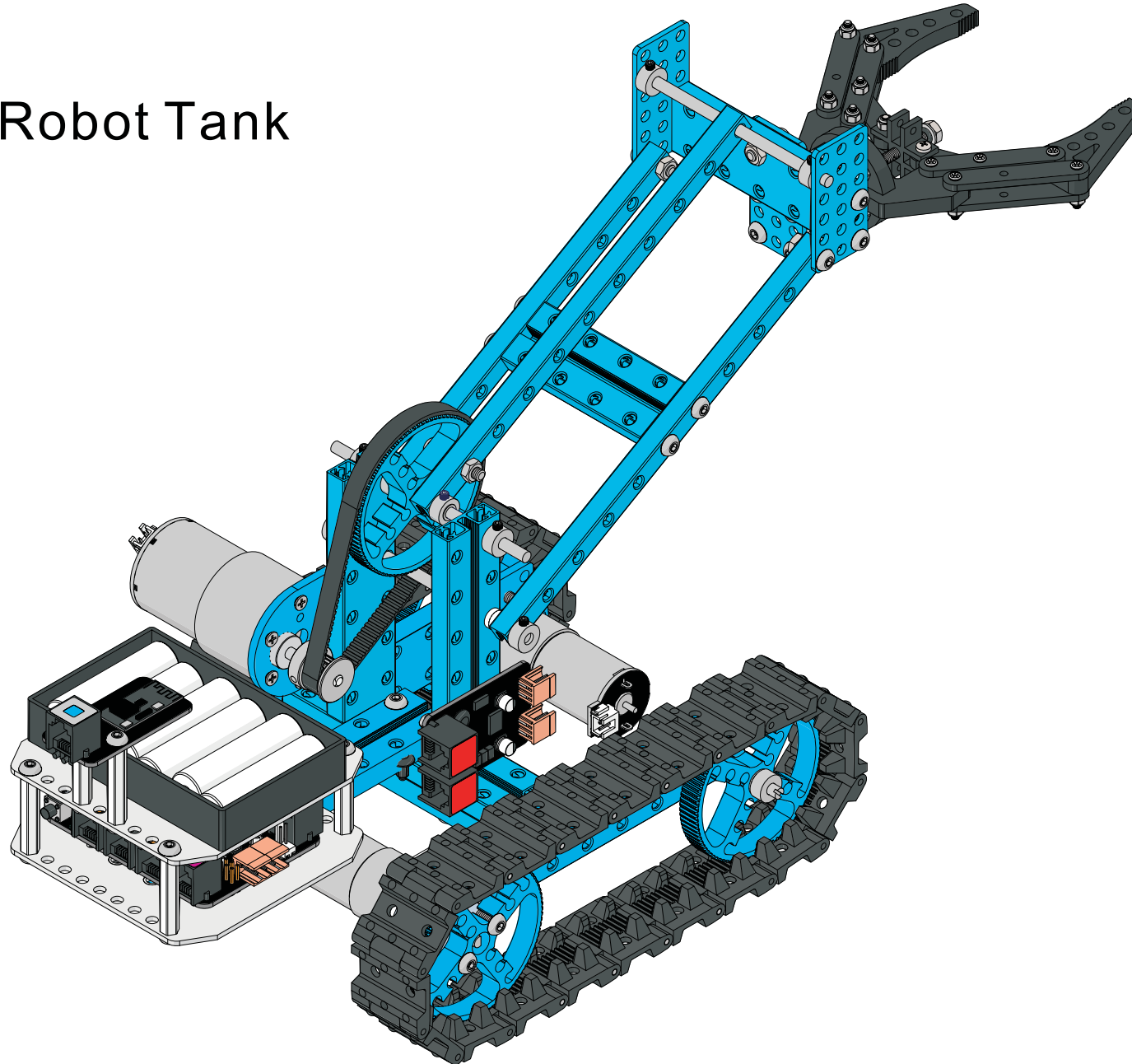
14



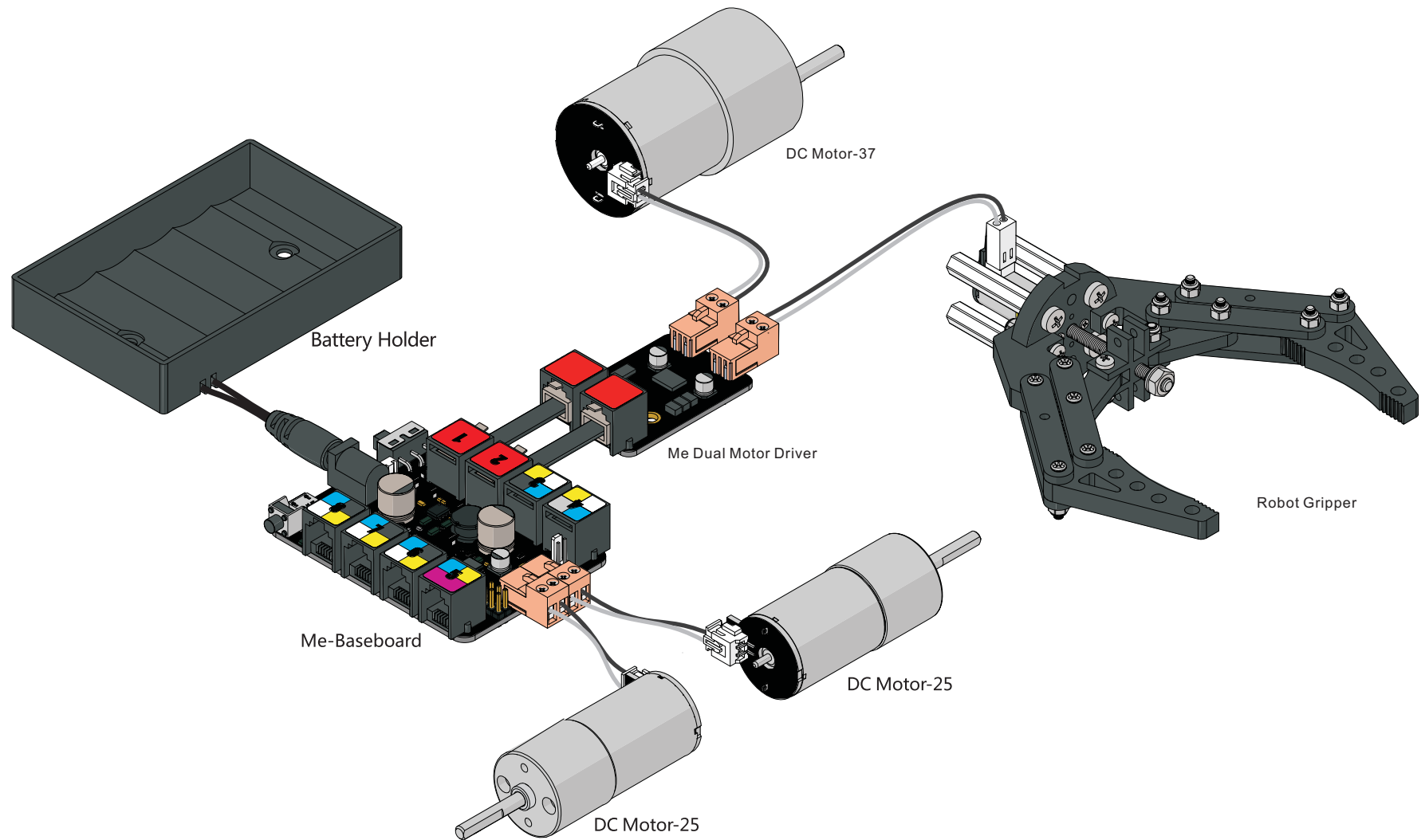
With Three-wheeled Robot Car



With Robot Tank



Wiring and Programming





www.makeblock.cc